

**LOK**touch™

**WAV**bi™

**NO HARD WIRING**

**cost effective & convenient**

**RFID – Keyless access control for lite commercial**



DESIGNED IN NEW ZEALAND

*Fast, easy, and smart access solutions at your finger tips*

[www.loktouch.com](http://www.loktouch.com)

# Security and Convenience

The WAVbi keyless entry access control system combines both security and convenience in a single door handle. The smart yet simple design removes any need for expensive hard wiring of electric locks. It utilises standard mortice hardware to allow installation to be completed on the existing locks, ensuring a cost-effective solution to keyless entry.

The WAVbi keyless access control handle uses RFID technology to wirelessly transfer data from your smart card to your handle set at the wave of a card. The WAVbi series of hardware is available in a range of handle configurations to suit both Australasian and European locksets and can be supplied with or without a mechanical key override entry option.

## ACCESS OPTIONS

Make your choice between Smart card, Smart tag or Pincode.

## RFID

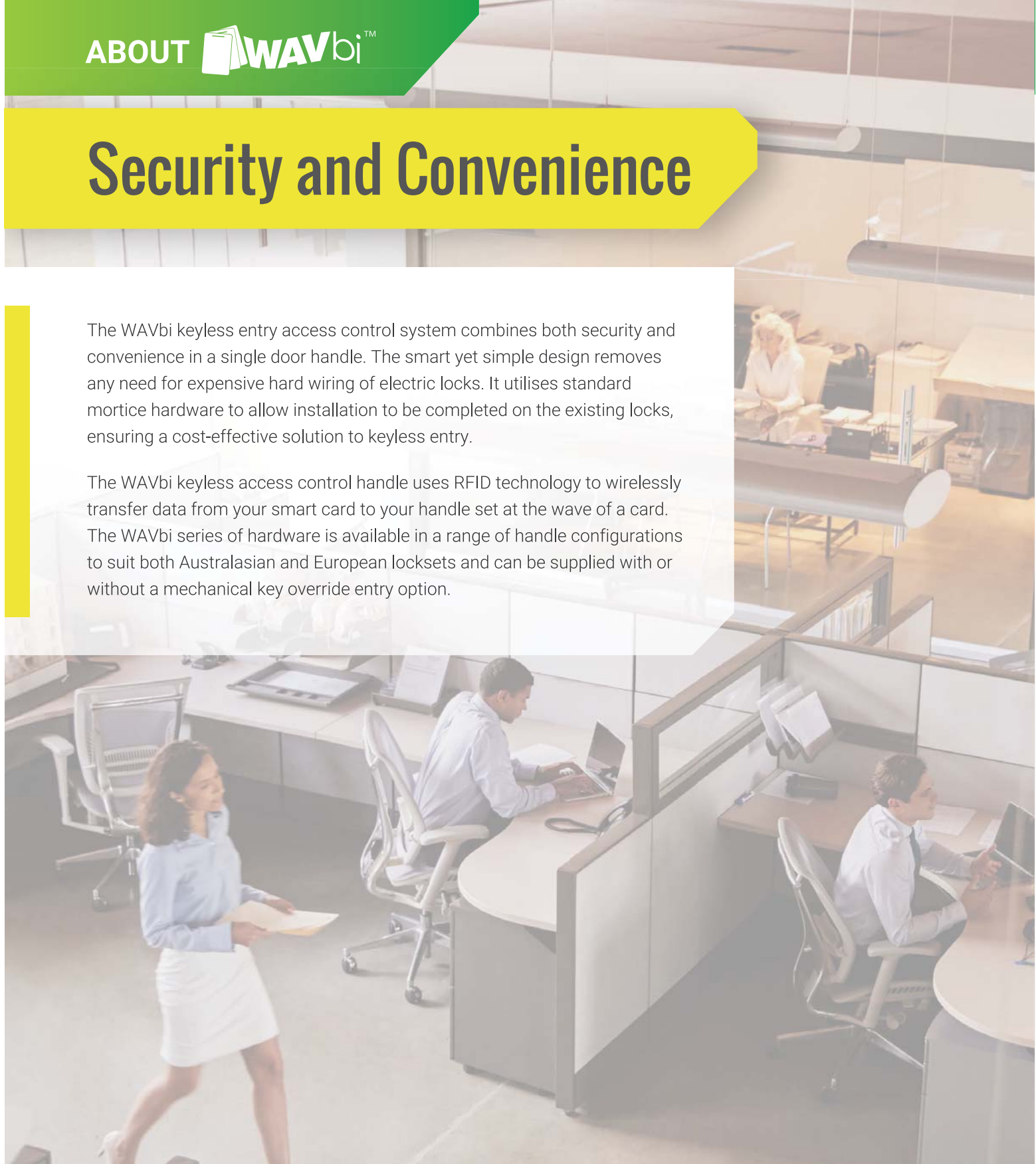
Transfers access permissions using RFID technology.

## FAST

WAVbi cards work by RFID communication ensuring fast transmission of access information between card and the lock.

## EASY TO INSTALL

## WIRELESS



## Fast, easy, and smart

WAVbi Standalone mode is the simplest way in which to operate your access control system. Each handle set is programmed with a Management Card and then users are simply added and deleted when the management card is presented to the outside reader.



## Product Range and Specifications

1

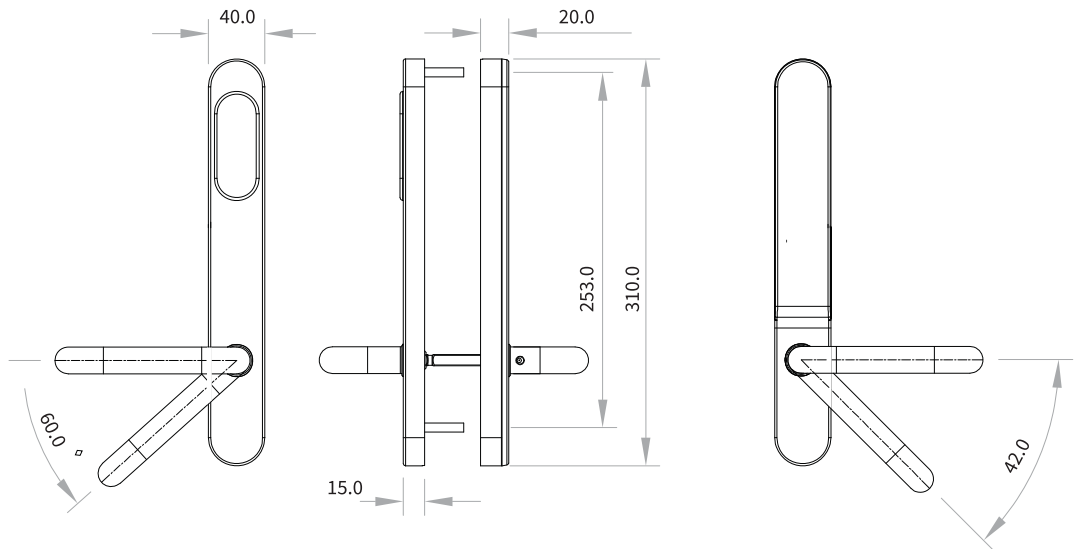


1 USER CARD

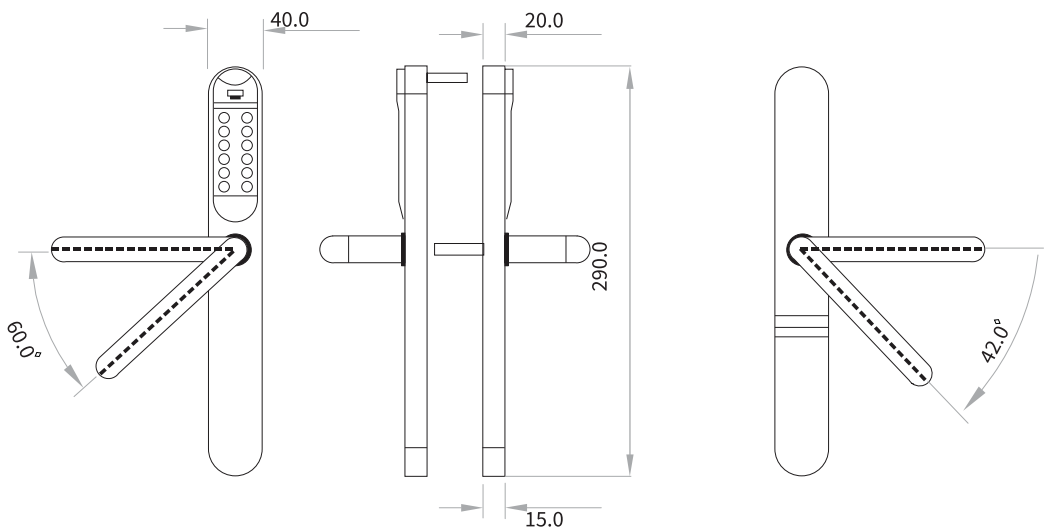
2 E-Handle with Card Reader

3 E-Handle with Key Pad

2



3



# Technical Data

LOKtouch™

WAVbi™



DESIGNED IN  
NEW ZEALAND

## SPECIFICATIONS

Power Source	3 x AAA batteries
Working Temperature	- 20C ~ + 70C
Working Humidity	20% ~ 97% R.H
IP Rating	IP54
Certification	CE, RoHs
Number of Users	128
Code length	4 – 6 digits
Material	Stainless Steel
Data Transfer	RFID
Opening options	Card, Tag, Code
Emergency Opening	Key, 9vdc battery
Passage Mode	Card

## HANDLE FURNITURE SPECIFICATION

CYLINDER SHAPE	SPINDLE DIMENSION	SPINDLE TO CYLINDER SPACING
Australian Oval	7.60mm	Blank
Australian Oval	7.60mm	60mm
Australian Oval	7.60mm	89mm
European	8.00mm	45mm
European	8.00mm	72mm
European	8.00mm	85mm
European	8.00mm	92mm
European	8.00mm	Custom

### New Zealand Distributor:

Levco Agencies Ltd  
28 Glover Street  
Ngauranga  
Wellington

Ph: +64 4 473 3025  
Fax: +64 4 4710316  
Email: sales@levco.co.nz

