



# ULTIMATE HEAVY DUTY CODELOCK



Locks in the CL5000 range are the ultimate standalone electronic door locks. Top of the range digital locks tested to Grade 2 ANSI A156.2/A156.25.

Heavy duty locks for use in high traffic applications. The stylish design incorporates all the features of CL2000 and CL4000, in a larger, more robust assembly. Unlike the other electronic locks, the CL5000 has a conventional 3x4 button keypad layout for instant familiarity, providing quick programming with a multiple range of functions. Particularly suitable for use in health, educational, commercial and residential environments.



Easy to install



On the door programming



Two year guarantee\*

80

Up to 80 User Codes

## FEATURES

- Key override and front cylinder change
- Suitable for wooden doors between 35mm - 60mm thick
- PVD low maintenance finish
- User Codes 4, 5 or 6 digits long
- Allows up to 10 one time User Codes
- Up to 200,000 operations from 4 x AA batteries (supplied)
- Remote release connections
- Suitable for internal and external use
- Tamper time out and low battery warning
- Locked and unlocked LED indicator option
- Tested to Grade 2 ANSI A156.2 / A156.25
- UL/ULC Fire Rating 3 hours (when fitted with US fire kit)
- Codelocks Fire Kit Packs can be fitted to latch locks for 30 or 60 minute fire doors. Tested in accordance with BS EN 1634-1:2008

# LOCK MODELS



CL5000 PK

### Panic Access Kit

Front plate only. Install with new or existing panic equipment. The follower on the panic equipment must return to square to align with follower on the lock.



CL5010

### Mortice Latch

Medium duty tubular mortice latch retracts via the outside knob after a valid code input. When the door closes, the spring latch will lock the door.



CL5010 BB

### Back to Back Option (BB)

Medium duty tubular mortice latch. Two coded plates for installation on both sides of the door. Provides coded access in both directions.

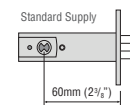


CL5020

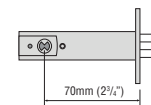
### Mortice Lock

Euro profile mortice sash lock with deadbolt and latchbolt. With the deadbolt thrown it denies access to code users. Supplied with Euro profile cylinders and three keys.

### Two Mortice Latch Sizes Available:



Requires 25mm x 82mm (1" x 3 1/4") hole



Requires 25mm x 92mm (1" x 3 5/8") hole

## ADDITIONAL FEATURES

### Storeroom Function

Fitted as standard i.e. the latch can be retracted by turning the key.

### Code Management

Program and manage codes via the keypad while the lock is on the door. All models also feature a Code Free option.

### Classroom Function

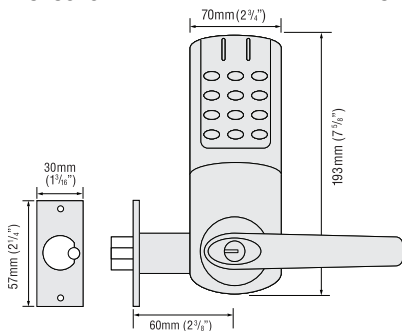
Tailpiece supplied to allow (when fitted) lock to be left in Code Free option when the key is removed.

### Remote Release

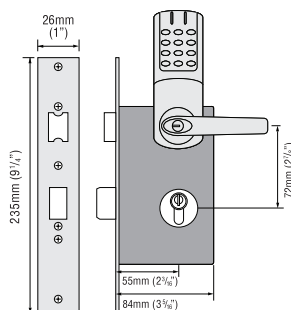
Two REM ports are provided for connection to external switches or alarm systems.

## PRODUCT DIMENSIONS

CL5010



CL5020



## TECHNICAL SPECIFICATIONS

FEATURE	DESCRIPTION
Spindle Type	Two part 8mm (5/16") spring loaded spindle
Operations	Up to 200,000 per set of 4 x AA batteries, 8 x AAA for CL5010 BB model
Mortice Latch	Medium duty latch with 'anti-shim' plunger
Low Battery Warning	Red LED will flash on opening to indicate low battery
Buttons	Individual stainless steel buttons
Material	Zinc Alloy
Finish	PVD (Physical Vapour Deposition), low maintenance
Finish Colour	Brushed Steel and Polished Brass
Non Handed	Locks will fit doors hung on the left or right
Door Thickness	35mm - 60mm (1 3/8" - 2 3/8")
Key Override	As standard and front cylinder change
Keyed Alike	Locks can be supplied keyed alike on request
Memory	Stores up to 80 User Codes
Fitting Options	Vertical only
Suitable For	Internal and external use
Standards	Codelocks Fire Kits can be fitted to latch locks for 30 or 60 minute fire doors. Tested in accordance with: BS EN 1634-1:2008



Scan to shop!

[www.codelocks.com](http://www.codelocks.com)

