



VERSATILE ACCESS CONTROL



The CL4000 electronic range are medium duty locks with multiple functions and full size lever handles.

The CL4000 locks are a stylish and contemporary design. Fully programmable on the door via the keypad with a multiple range of functions making them particularly suitable for use in health, educational, commercial and residential environments.



Easy to
install



On the door
programming



Two year
guarantee*

80

Up to 80
User Codes

FEATURES

- Key override as standard and front cylinder change
- Suitable for wooden doors between 35mm - 60mm thick
- PVD low maintenance finish
- User Codes 4, 5 or 6 digits long
- Allows up to 10 one time User Codes
- Up to 200,000 operations from 4 x AA batteries (supplied)
- Mortice deadbolt and latch models available
- Remote release connections
- Suitable for internal and external use
- Lever or knob handle options available
- Tamper time out and low battery warning
- Locked and unlocked LED indicator option
- Selected models available in stainless steel or polished brass finish
- Codelocks Fire Kit Packs can be fitted to latch locks for 30 or 60 minute fire doors. Tested in accordance with BS EN 1634-1:2008

LOCK MODELS



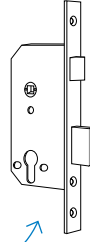
Mortise Latch

Medium duty tubular mortise latch retracts via the outside knob after a valid code input. When the door closes, the spring latch will lock the door.

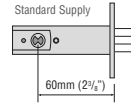


Mortise Lock

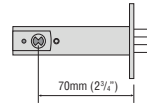
Euro profile mortise sash lock with deadbolt and latchbolt. With the deadbolt thrown it denies access to code users. Supplied with Euro profile cylinders and three keys.



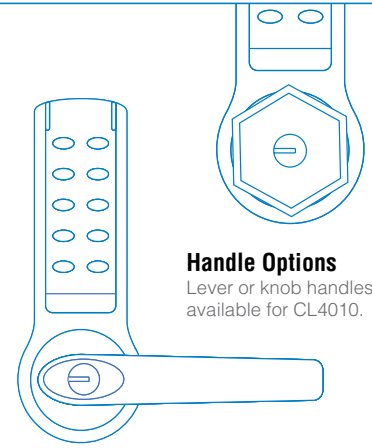
Two Mortise Latch Sizes Available:



Requires 25mm x 82mm (1" x 3 1/4") hole



Requires 25mm x 92mm (1" x 3 5/8") hole



ADDITIONAL FEATURES

Storeroom Function

Fitted as standard i.e. the latch can be retracted by turning the key.

Classroom Function

Tailpiece supplied to allow (when fitted) lock to be left in Code Free option when the key is removed.

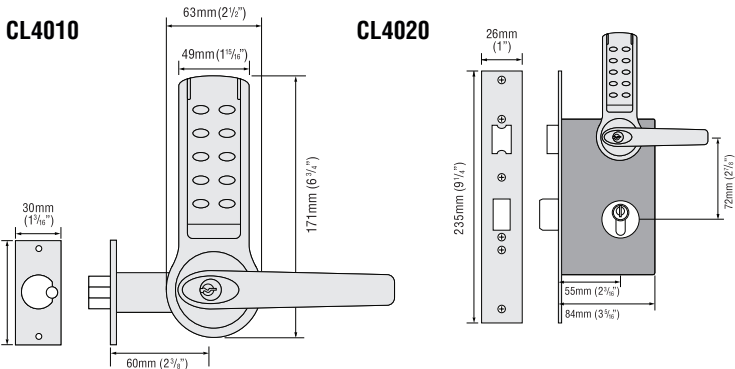
Code Management

Program and manage codes via the keypad while the lock is on the door. All models also feature a Code Free option.

Remote Release

Two REM ports are provided for connection to external switches or alarm systems.

PRODUCT DIMENSIONS



TECHNICAL SPECIFICATIONS

FEATURE	DESCRIPTION
Spindle Type	8mm (5/16") spring loaded spindle
Operations	Up to 200,000 per set of 4 x AA batteries
Mortise Latch	Medium duty latch with 'anti-shim' plunger
Low Battery Warning	Red LED will flash on opening to indicate low battery
Buttons	Individual stainless steel buttons
Material	Zinc Alloy
Finish	PVD (Physical Vapour Deposition), low maintenance
Finish Colour	Stainless Steel and Polished Brass
Non Handed	Locks will fit doors hung on the left or right
Door Thickness	35mm - 60mm (1 3/8" - 2 3/8")
Key Override	As standard and front cylinder change
Keyed Alike	Locks can be supplied keyed alike on request
Memory	Stores up to 80 User Codes
Fitting Options	Vertical only
Suitable For	Internal and external use
Standards	Codelocks Fire Kits can be fitted to latch locks for 30 or 60 minute fire doors. Tested in accordance with: BS EN 1634-1:2008



Scan to shop!

www.codelocks.com

