



## AFFORDABLE ACCESS CONTROL

# CL300

Mechanical access control at a price to suit any door. Easy retrofit over a 54mm (2 $\frac{1}{8}$ " ) door preparation.

Locks in the CL300 range allow various ways to manage entry - by code, key or 'hold open' operations. The key can be used to retract the latchbolt without the need for the code. Back to Back versions are also available, suitable for applications where a code is required on both sides of the door.

### FEATURES

- Simple convenient control
- Easy to retrofit
- Dual backset latchbolt
- Dual backset deadbolt
- Fits standard US door preparation holes
- Five options available
- 8,191 non sequential codes available
- Tumbler alignment for easy code change
- Key bypass option may be specified on any function
- Dual backplate allows option of hold /non-hold open
- Key override locks - six-pin cylinder and two keys
- PVD weather resistant, low maintenance finish
- Silver grey, polished brass and brushed steel finishes available
- Also available in flat black and antique brass finish
- Suitable for internal and external use
- Limited lifetime guarantee\*

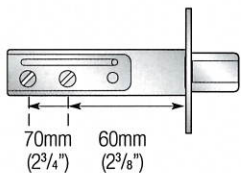
## FUNCTIONS



CL310

### Tubular Deadbolt

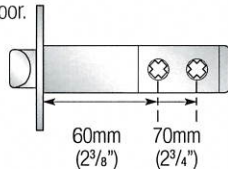
Dual backset accommodates 60mm (2<sup>3</sup>/<sub>8</sub>" ) and 70mm (2<sup>3</sup>/<sub>4</sub>" ).



CL355

### Tubular Latchbolt

Dual backset accommodates 60mm (2<sup>3</sup>/<sub>8</sub>" ) and 70mm (2<sup>3</sup>/<sub>4</sub>" ). Supplied with 'hold open' option as standard, allowing free entry without inserting the access code. The option can be disabled on installation requiring code to be entered every time to open the door.



### Code Change Method

Requires removal of lock from door. Locks are supplied with a random code commencing with the 'C' clear button. To change the code after fitting, the lock must first be removed from the door. The code is non sequential, i.e. the code can be entered in any preferred order (e.g. 1234 can be 4321 or 1342). A total of 8,191 different codes are available - any of which can be entered in any order.

Neoprene seals are included on both sides to provide friction against the face of the door and to avoid damage from over tightening of the fixing bolts.

## OPTIONS

### Back to Back Option (BB):

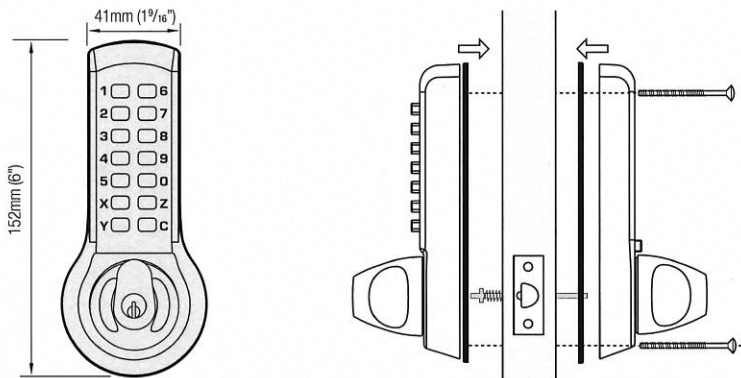
Two coded plates for installation on both sides of the door. Provides coded access in both directions.

### Key Override (K):

Locks can be ordered with key override.

For further product model options see price list.

## PRODUCT DIMENSIONS



## APPLICATIONS



## TECHNICAL SPECIFICATIONS

|                        |  |
|------------------------|--|
| Options                | Five available   |
| Spindle Type           | Flat spring loaded spindle   |
| Material               | Zinc Alloy   |
| Door Thickness         | 35-65mm (1 <sup>3</sup> / <sub>8</sub> " - 2 <sup>1</sup> / <sub>2</sub> " )   |
| External Dimensions    | 152mm (6") height x 41mm (1 <sup>9</sup> / <sub>16</sub> " ) width x 54mm (2 <sup>1</sup> / <sub>8</sub> " ) projection off door (inside and out)  |
| Buttons                | 14 stainless steel buttons   |
| Non Handed             | Locks will fit doors hung on the left or right   |
| Fitting Options        | Vertical   |
| Finish                 | PVD (Physical Vapour Deposition) hardwareing low maintenance finishes SS (stainless steel), PB (polished brass), SG (silver grey), FB (flat black) and AB (antique brass)  |
| Codes                  | 8,191 non sequential codes available   |
| Code Storage           | Single Code  |
| Key Override           | Locks come with a 6-pin C keyway screw-cap type key on knob cylinder and two 6-pin keys  |
| Keyed Alike            | Locks can be supplied Keyed Alike on request   |
| Gaskets                | Two plates provided for interior and exterior  |
| Fasteners              | Breakaway type allowing for installation on 35mm (1 <sup>1</sup> / <sub>8</sub> " ) to 63mm (2 <sup>1</sup> / <sub>2</sub> " ) thick doors   |
| Security Strike Plates | Two available 76mm (3") and 25mm (1")  |
| Installation           | Fits standard US door prep holes 54mm (2 <sup>1</sup> / <sub>8</sub> " ) x 25mm (1") with 57mm (2 <sup>1</sup> / <sub>4</sub> " ) x 25mm (1") face plate, plus one additional 8mm (5/ <sub>16</sub> " ) anchoring hole |
| Suitable For           | Internal and external use  |

\*Codelocks mechanical locks will be repaired, serviced or replaced free of charge if they develop a manufacturing fault. Faults caused by misuse, abuse and/or poor fitting are not covered by the guarantees.



www.codelocks.com

**CODELOCKS**