






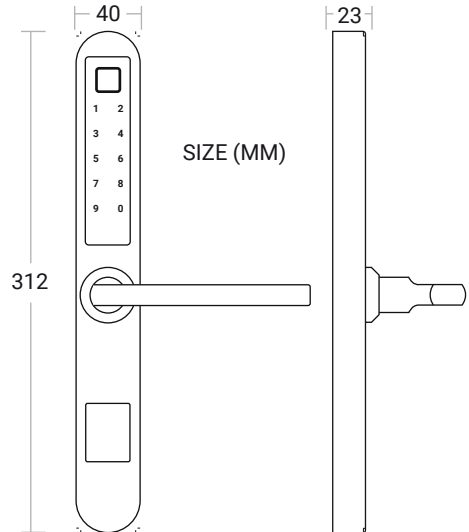


**appLOK™ OS-35B**

-  RFID
-  Codepad
-  Fingerprint
-  Web browser
-  Wifi

# Smart & convenient security for your home or Air BnB property

**SMART APP OPERATED LOCKS**



## Easily manage your property access with smart app operated locksets

appLOK™ is a series of smart APP operated locksets covering various installation applications for residential and rental properties. All locks and key boxes connect to a simple yet smart mobile APP that utilizes Bluetooth technology to set up and manage your property access requirements.

Property owners and managers can set various opening times either directly at the door via Bluetooth or remotely using the App or Wi-Fi functions. Remote code access is also available without connecting to the lockset using the unique built-in code algorithm system. All locks in the series have a range of opening options, including RFID tags, Fingerprint, Code pad, Phone, and mechanical key.

### TECHNICAL PARAMETERS

|                            |                   |
|----------------------------|-------------------|
| Power Source               | 4 x AAA batteries |
| Working Environment        | -40 to +80C       |
| Door Width                 | 35-50mm/51-90mm   |
| Backset                    | 30mm – 60mm       |
| Emergency power source     | N/A               |
| Low battery indicator      | Yes               |
| Override key               | Yes               |
| IP Rating                  | IP55              |
| Warranty                   | 2 Years           |
| Number of Card/Tags        | 100               |
| Number of Fingerprints     | 200               |
| Number of Customized Codes | 150               |
| Number of E-codes          | Unrestricted      |
| Number of E-Keys           | Unrestricted      |
| Construction Material      | Stainless Steel   |
| Gateway function           | Yes               |
| Remote Opening             | Yes               |
| One time opening           | Yes               |
| Anti-spy opening           | Yes               |
| Time-restricted opening    | Yes               |
| Certification              | RoHS/CE           |



Smart App Lock / S110



Smart App Lock / S200BL



Key Box / S1030



Wifi Hub / S651



#### New Zealand Distributor

Levco Agencies Ltd  
28 Glover Street  
Ngauranga  
Wellington

Ph: +64 4 473 3025  
Fax: +64 4 4710316  
Email: sales@levco.co.nz

Visit our website to view the full range of appLOKs